



## Rugged Road Ready Features

- \* Beefy, Stackable Ball Corners
- \* Double Anchor Industrial Rivets
- \* Recessed, Industrial Grade Latches
- \* Recessed, Spring Loaded Handles
- \* Industrial Grade Rubber Feet
- \* Premium 3/8" Vinyl Laminated Plywood
- \* Tongue and Groove Locking Fit
- \* Pull Out Handle
- \* Low Profile Stair Climbing System Wheels
- \* ATA 300 Rating
- \* Road Ready Limited Lifetime Warranty

## Product Dimensions

Shipping Dimensions ( inch): 15.7 x 22.4 x 18.8

Shipping Weight ( lbs): 24.8

Product Dimensions (inch): 15.1 x 21.8 x 18.1

Product Weight (lbs): 23.1

Shipping Dimensions ( cm): 40 x 57 x 48

Shipping Weight ( kg): 11.3

Product Dimensions (cm): 38.5 x 55.5 x 46

Product Weight (kg): 10.5

# RRLPHW

100 LP Case w/ Wheels and Pull  
Out Handle



Get your Groove on with Road Ready's RRLPHW. Built rugged and smart this ATA style LP case offers the ultimate in protection for your LP collection, period. Built to house up to 100 LPs this case is packed with Rugged Road Ready Features like beefy, stackable ball corners, double anchor industrial rivets, recessed industrial grade latches, a spring loaded handle, premium 3/8" vinyl laminated plywood construction, and tongue and groove locking fit. And because lugging your gear around can be a drag, the RRLPHW features Road Ready's unique low profile stair climbing system wheels and pull-out handle for sleek, stealth mobility. Straight-up Durability!

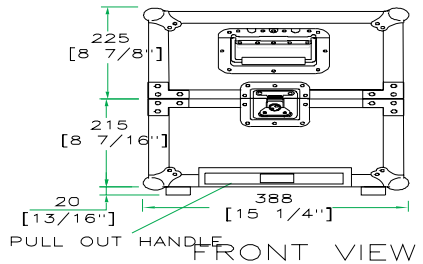
## Road Ready Cases

1226 Corral Place \* Santa Fe Springs, CA 90670

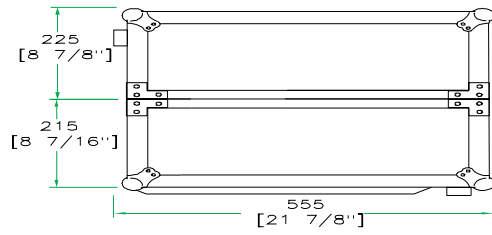
ph: 562.906.6185 \* fax: 562.906.6186

**WWW.ROADREADYCASES.COM**

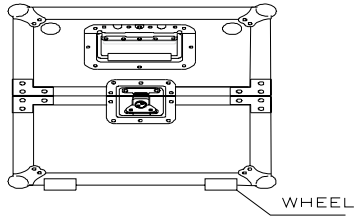
# RRLPHW



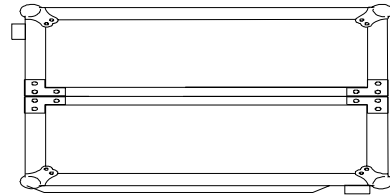
FRONT VIEW



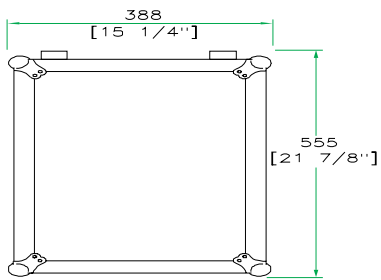
LEFT VIEW



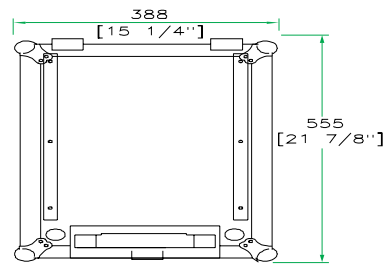
BACK VIEW



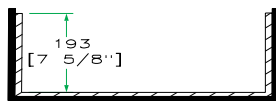
RIGHT VIEW



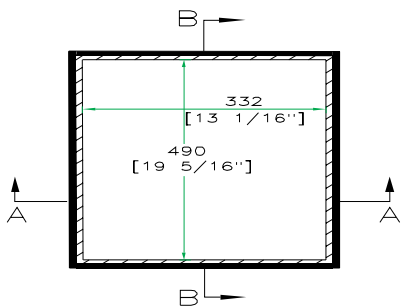
TOP VIEW



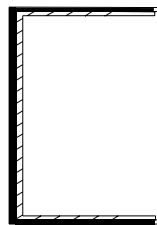
BOTTOM VIEW



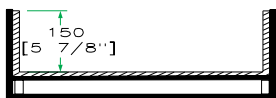
A-A VIEW



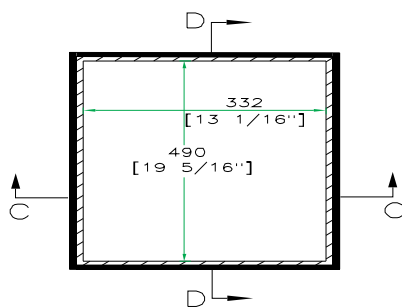
TOP VIEW OF COVER



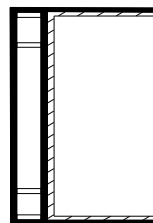
B-B VIEW



C-C VIEW



TOP VIEW OF BASE



D-D VIEW