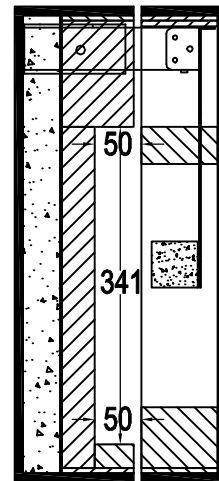
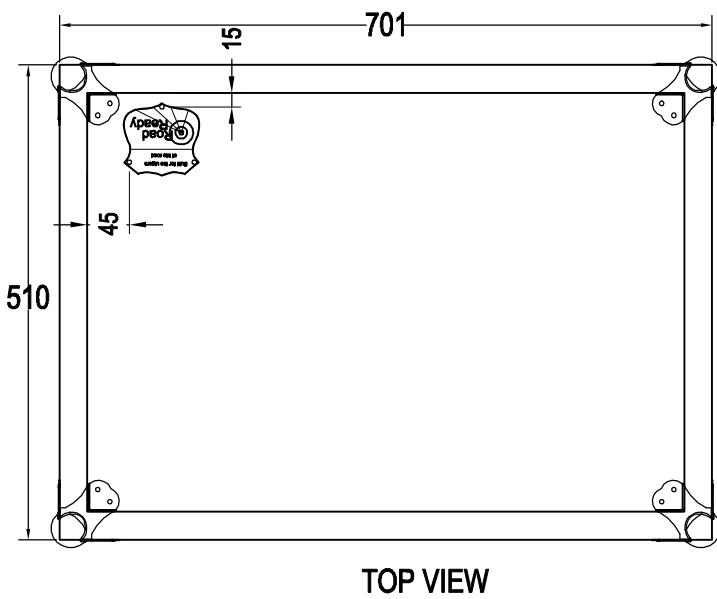
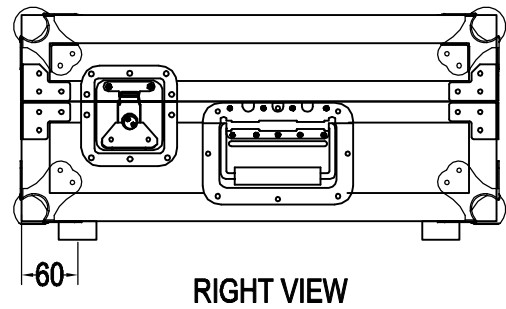
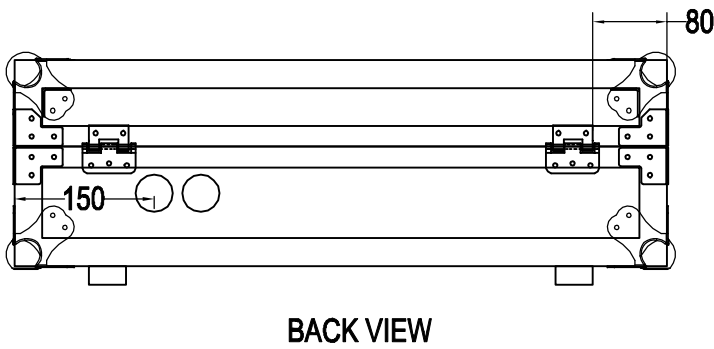
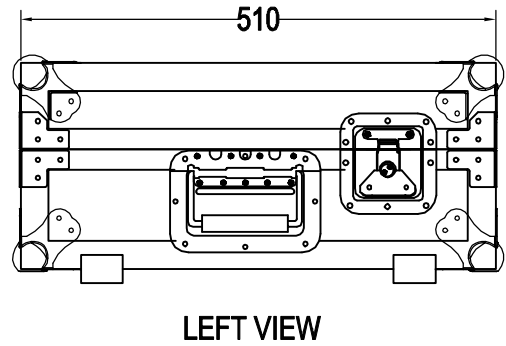
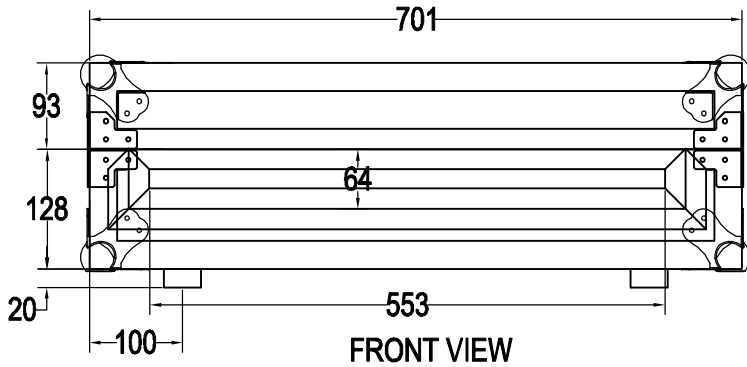


RRDDJSXL

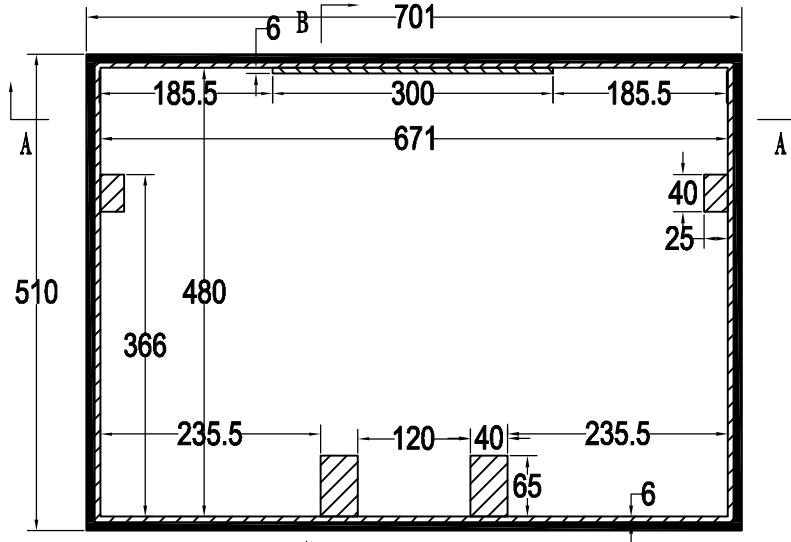


	SKU: RRDDJSXL	BY:
	UPC: NA	ROAD READY CASES
APPROVAL SIGNATURE: _____		DATE: _____
DRAWING DATE:	SCALE:	DRAWING NUMBER:
11 / 29 / 2012	1:8	1/2
REVISION:		
		E

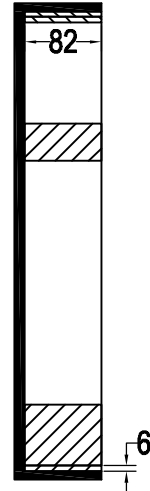
RRDDJSXL



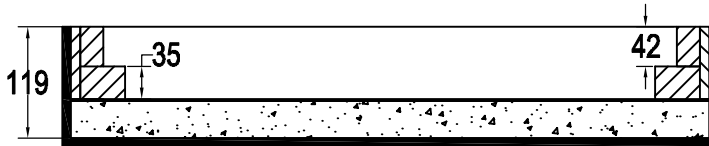
A-A VIEW



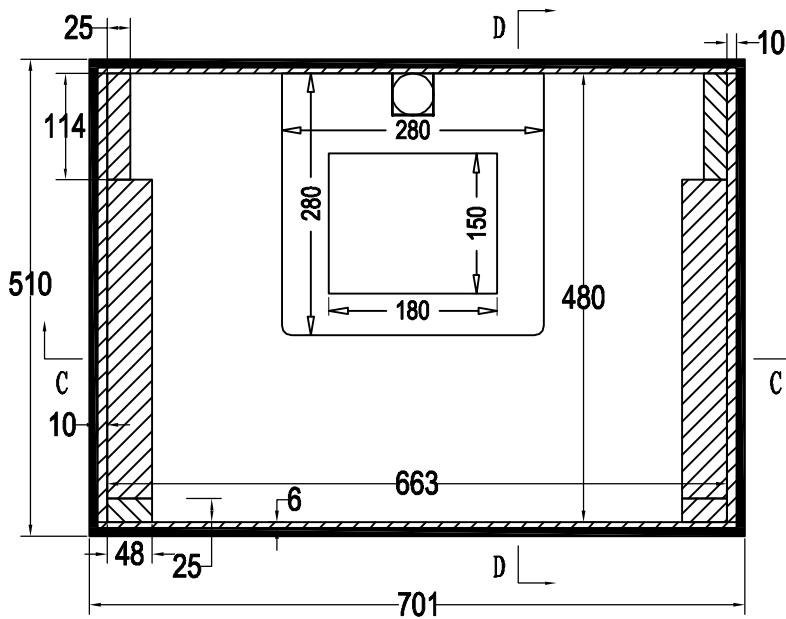
TOP VIEW OF COVER



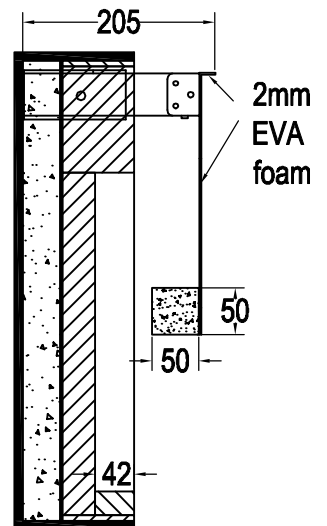
B-B VIEW




C-C VIEW



TOP VIEW OF BASE



D-D VIEW

	SKU: RRDDJSXL	BY:
	UPC: NA	ROAD READY CASES
APPROVAL SIGNATURE:		DATE:
DRAWING DATE:	SCALE:	DRAWING NUMBER:
11 / 29 / 2012	1:8	2/2
REVISION:		
		E