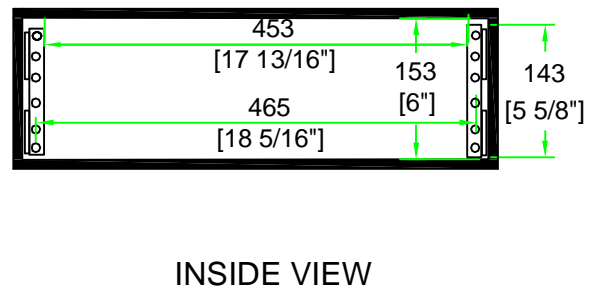
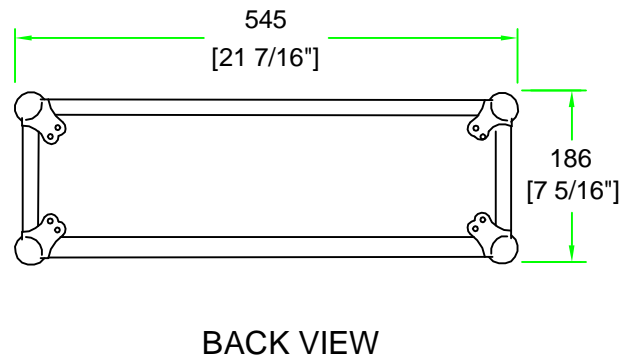
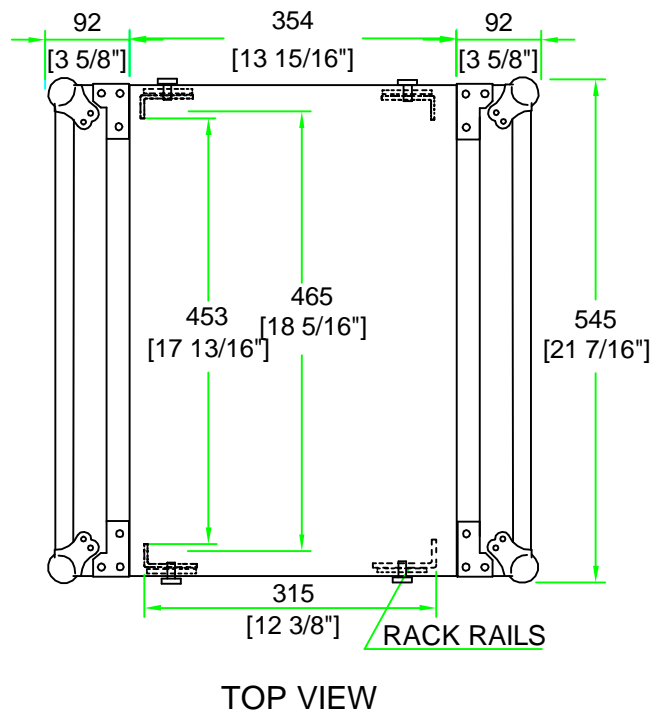
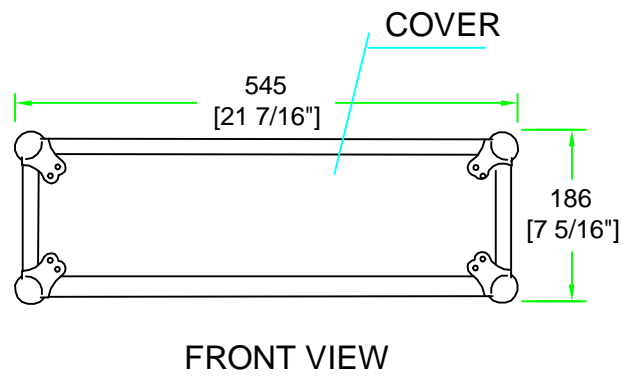
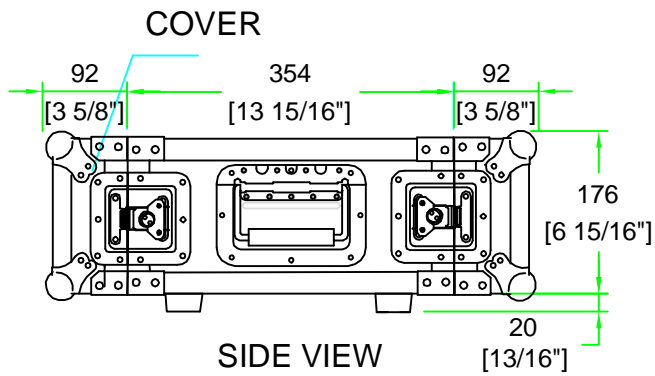


RR3UED



Signature of Approval

Printed Name

2008-10-07