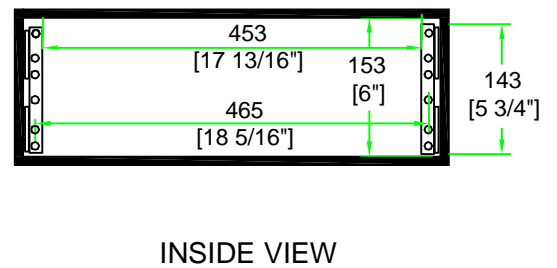
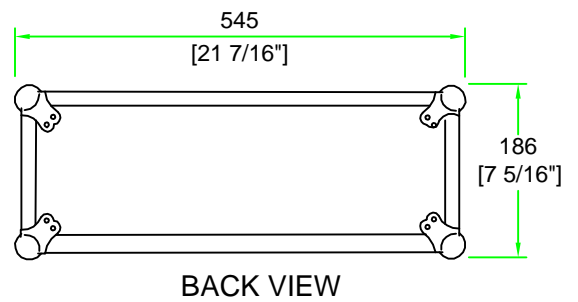
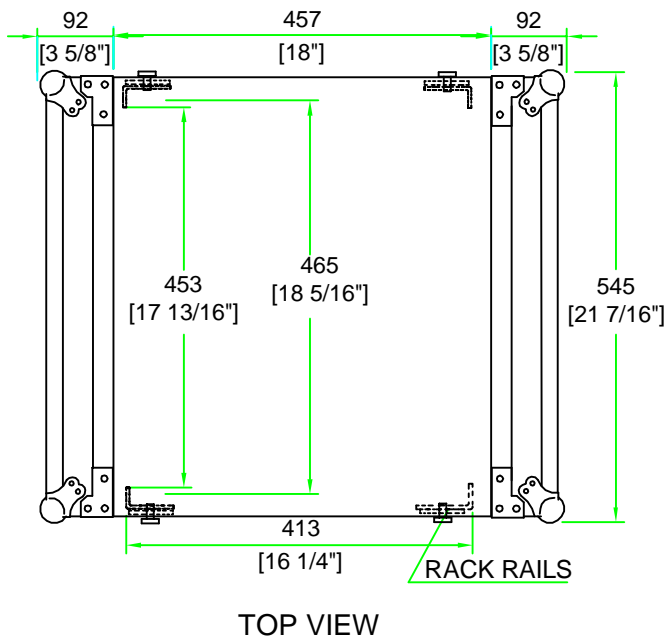
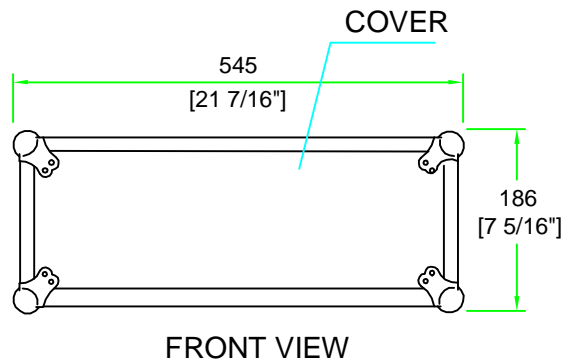
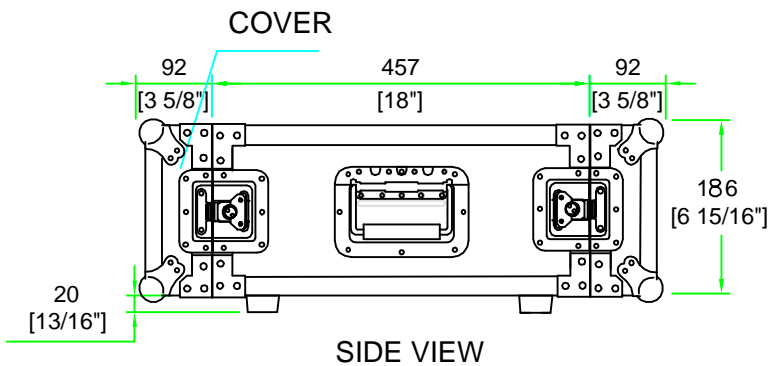


# RR3U-AD



\_\_\_\_\_  
Signature of Approval

\_\_\_\_\_  
Printed Name

2008-10-07